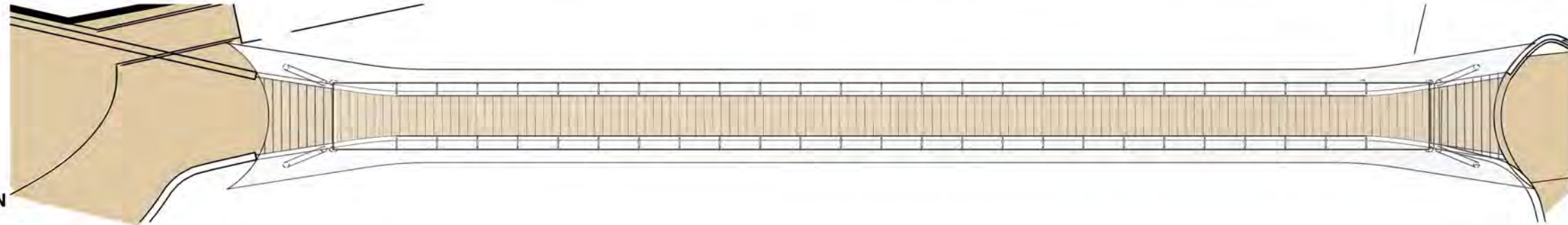
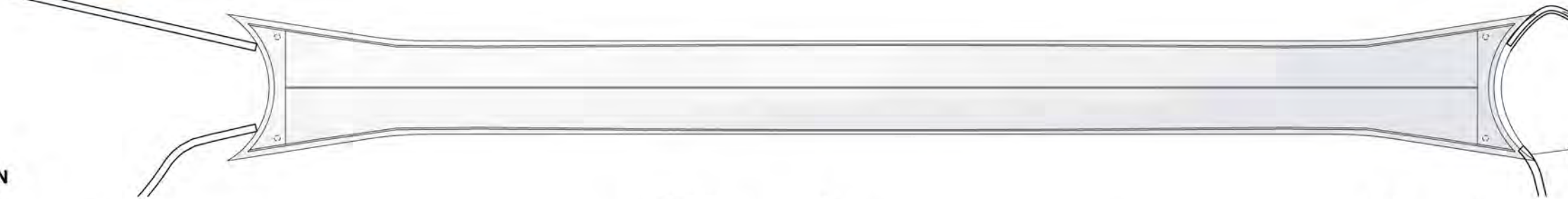


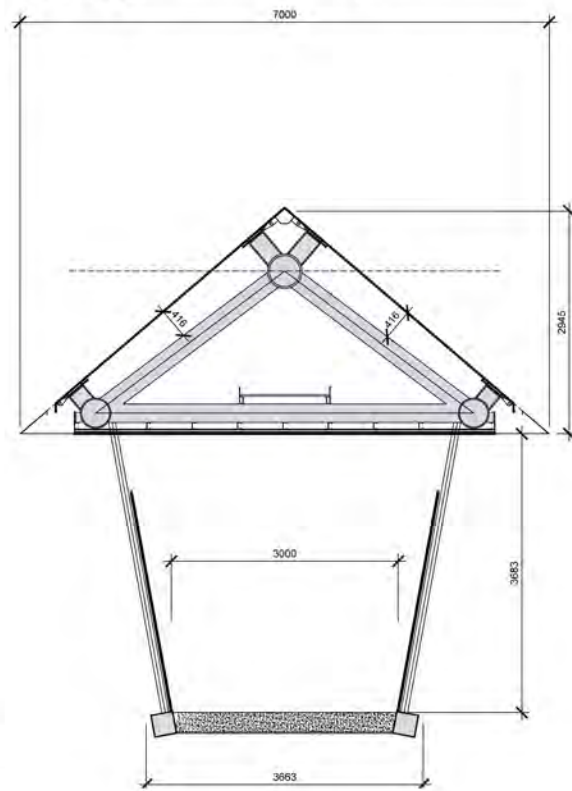
PROPOSED  
**PART SEC/ ELEVATION**  
SCALE 1:200@A1



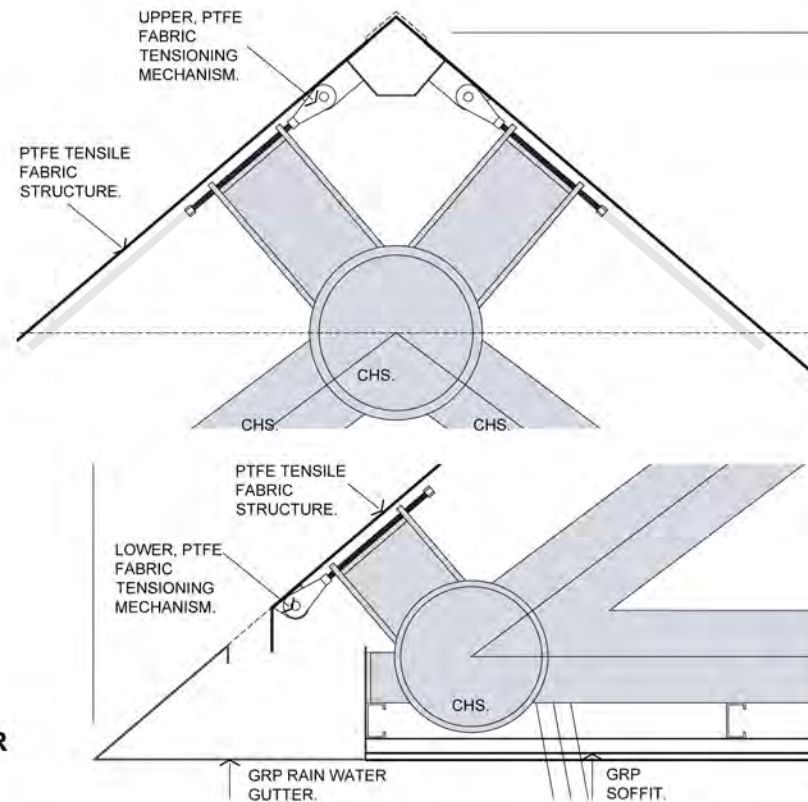
PROPOSED  
**DECK PLAN**  
SCALE 1:200@A1



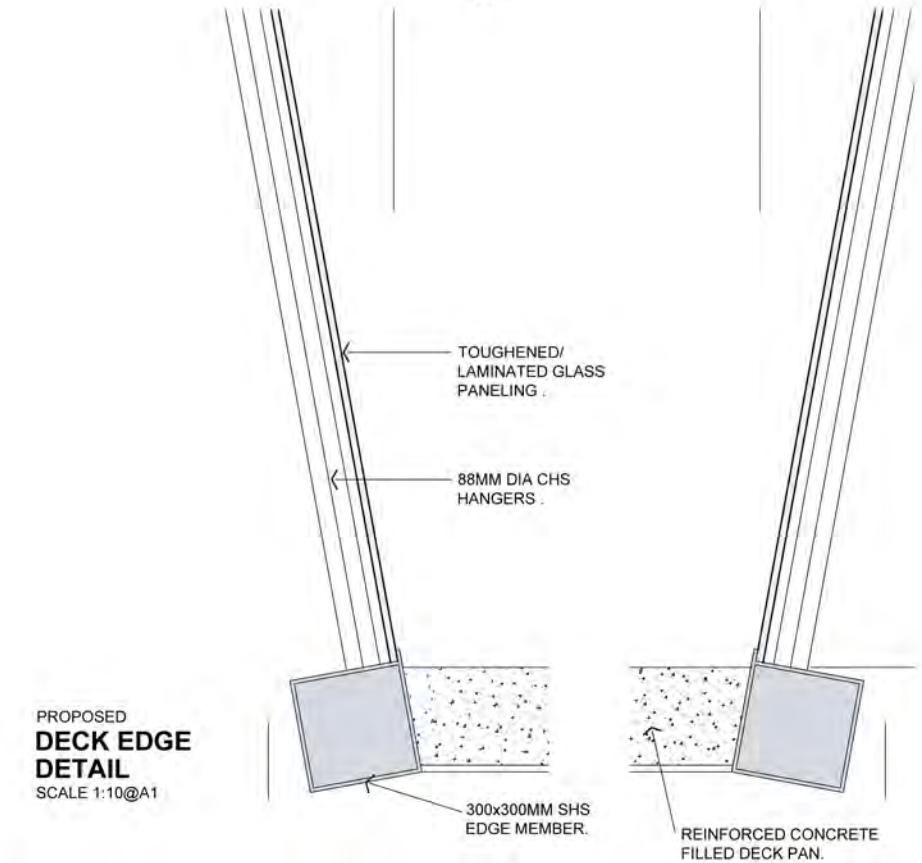
PROPOSED  
**ROOF PLAN**  
SCALE 1:200@A1



PROPOSED  
**PART SECTION EE**  
SCALE 1:50@A1



PROPOSED  
**RIDGE GUTTER & RAINWATER GUTTER DETAILS**  
SCALE 1:10@A1



PROPOSED  
**DECK EDGE DETAIL**  
SCALE 1:10@A1